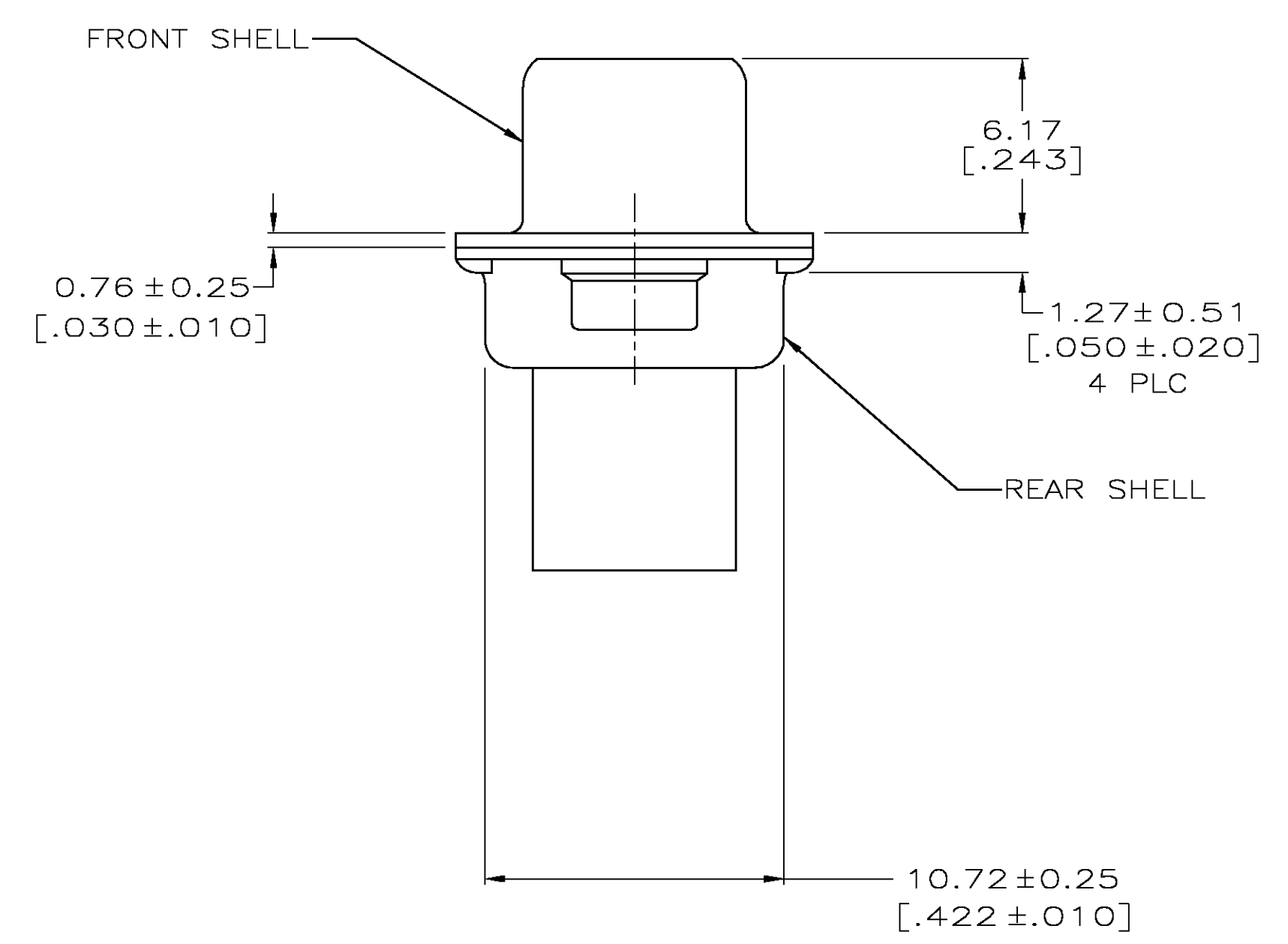
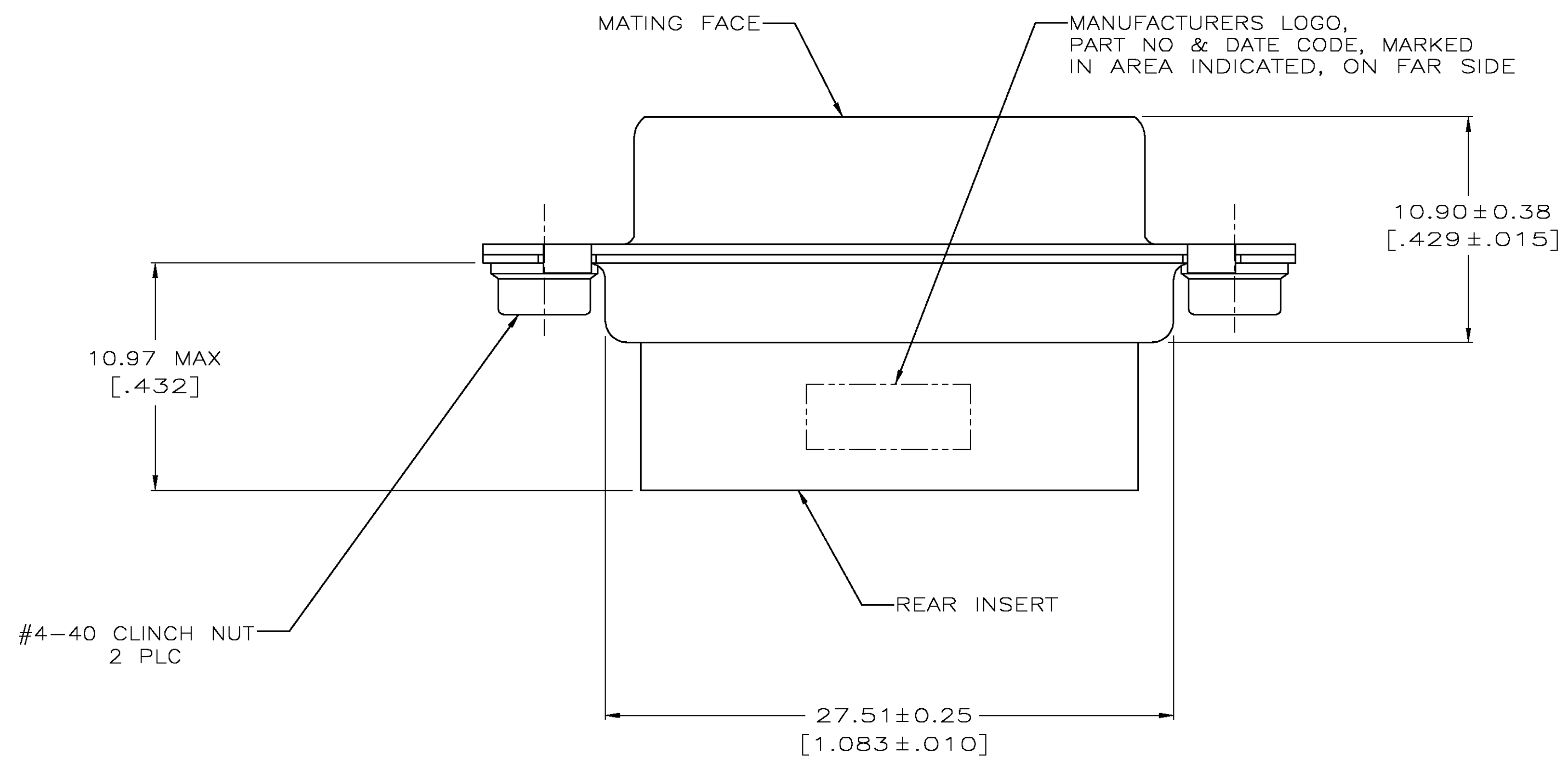
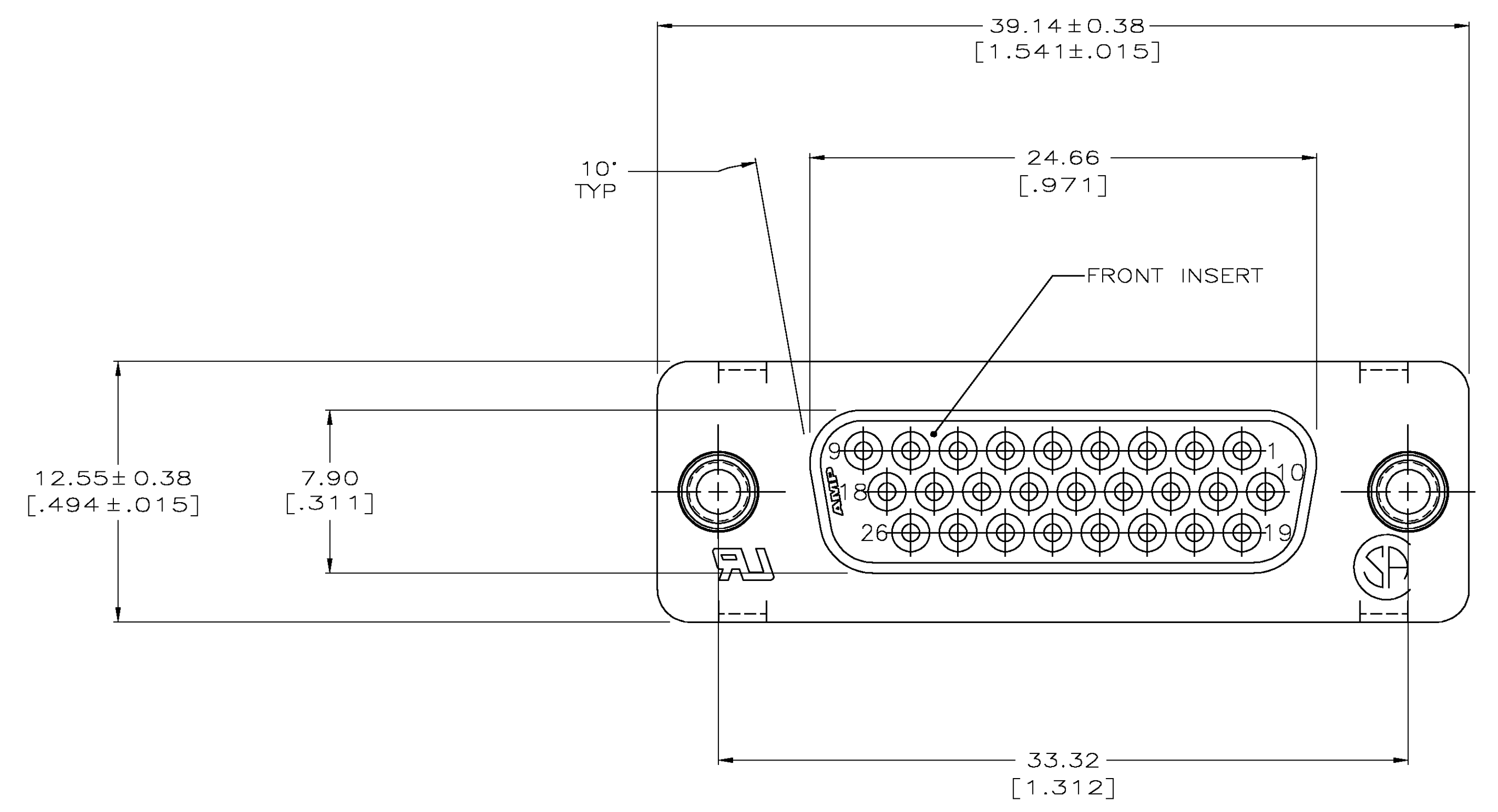


LOC		DIST		REVISIONS			
P	LR	DATE	BY	APPROV			
0		RELEASED PER EC 0513-0257-04	11-12-04	GA	JG		

- △ FRONT SHELL, REAR SHELL & CLINCH NUTS: CARBON STEEL; FRONT & REAR INSERTS: NYLON, COLOR BLACK.
- △ FRONT & REAR SHELLS: 5.08µm [.000200] MIN TIN OVER 2.54µm [.000100] MIN COPPER.
CLINCH NUTS: ZINC, CLEAR CHROMATE.



5788816-1
PART NO

THIS DRAWING IS A CONTROLLED DOCUMENT.		DWG G. ATTADIA - 11-12-04		Tyco Electronics Corporation Harrisburg, PA 17105-3608														
DIMENSIONS: mm [inches]		CHK J. GERACE - 11-12-04		APVD W. WALMSLEY - 11-12-04	NAME RECEPTACLE CONNECTOR, SIZE 2, 26 POSN. WITH SELF LOCKING CLINCH NUTS, AMPLIMITE® HDP-22	RESTRICTED TO												
TOLERANCES UNLESS OTHERWISE SPECIFIED:		<table border="1"> <tr><td>0 PLC</td><td>± .005</td></tr> <tr><td>1 PLC</td><td>± .005</td></tr> <tr><td>2 PLC</td><td>± .005</td></tr> <tr><td>3 PLC</td><td>± 0.13 [.005]</td></tr> <tr><td>4 PLC</td><td>± .005</td></tr> <tr><td>ANGLES</td><td>± .2°</td></tr> </table>		0 PLC	± .005	1 PLC	± .005	2 PLC	± .005	3 PLC	± 0.13 [.005]	4 PLC	± .005	ANGLES	± .2°	PRODUCT SPEC 108-1268	SIZE A1	SCALE 5:1
0 PLC	± .005																	
1 PLC	± .005																	
2 PLC	± .005																	
3 PLC	± 0.13 [.005]																	
4 PLC	± .005																	
ANGLES	± .2°																	
MATERIAL △		FINISH △		APPLICATION SPEC 114-10001	WEIGHT -													
		CUSTOMER DRAWING		DRAWING NO 00779	SHEET 1 OF 1													